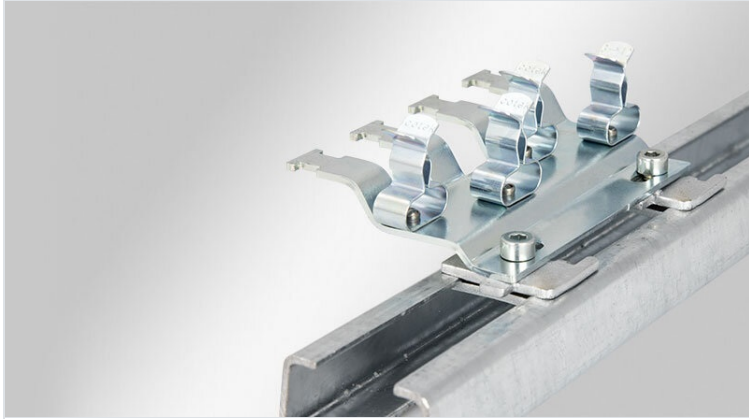


# EMC clamp assembly for C section rail C30

with integrated strain relief



EMC clamp assemblies are used, where the shield of several cables must be connected to the earth potential. They are easy to use and enable effective earthing and strain relief of up to 12 cables in a small space. There are different carriers available which can be user configured with up to 12 SKL or MSKL shield clamps. The shield clamps are mounted directly on the surface of the clamp assembly which guarantees a tight fit.

The cables can be fixed via the cable jacket using cable ties. Thus strain relief in accordance with EN 62444 is achieved.

The EMC shield clamps as listed below are available to mount:

SKL 1.5-3 | SKL 3-6 | SKL 6-8 | SKL 8-11  
MSKL 3-12

The SKL shield clamps are assembled in a row, the MSKL shield clamps are assembled in a staggered double-row which enables an ideal and space-saving arrangement.

The clamp assembly can be mounted on C section rails C30 using the SC screw foot.

**Configure your individual clamp assembly with the icotek EMC Configurator!**



## Specifications

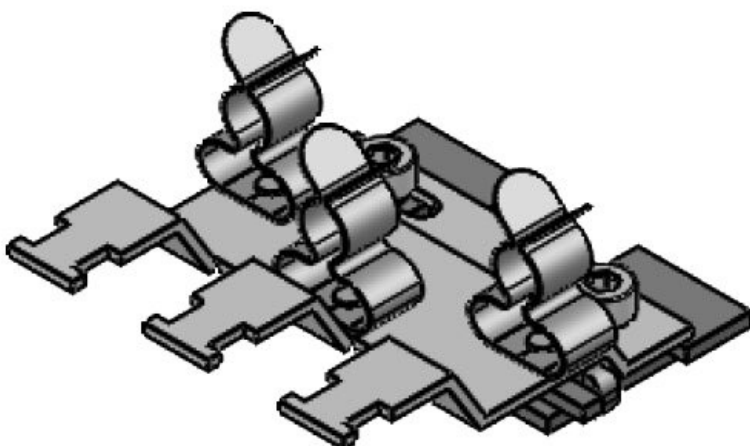
<b>Material</b>	Shield clamp: Spring steel, zinc plated Mounting foot: Mild steel, galvanically zinc plated Screw foot: Mild steel, galvanically zinc plated
<b>Properties</b>	vibration proof
<b>Mounting options</b>	Screw type mounting

## Advantages & Benefits

- Large contact area
- Shield contact and strain relief separated
- Easy assembly and removal
- The spring design requires no adjustments and will permanently maintain contact to the cable shield
- Shock and vibration resistant, maintenance free
- Designed for high density applications
- Possibility to configure custom specific EMC clamp assemblies
- For mounting on all standard C section rails C30

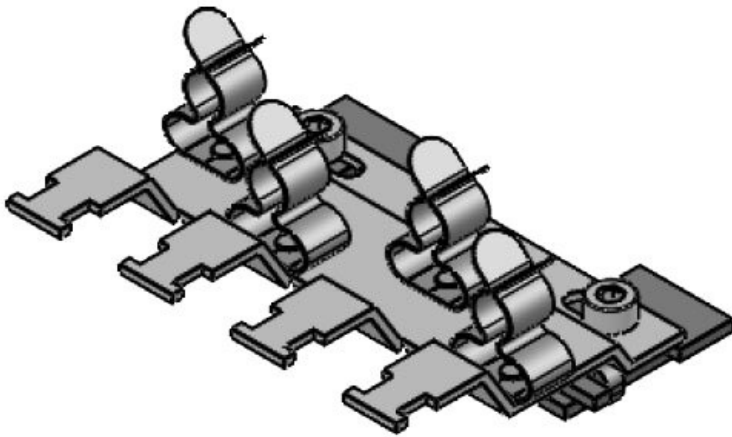
## Product types & Sizes

SC|RLFZ-M (x3)



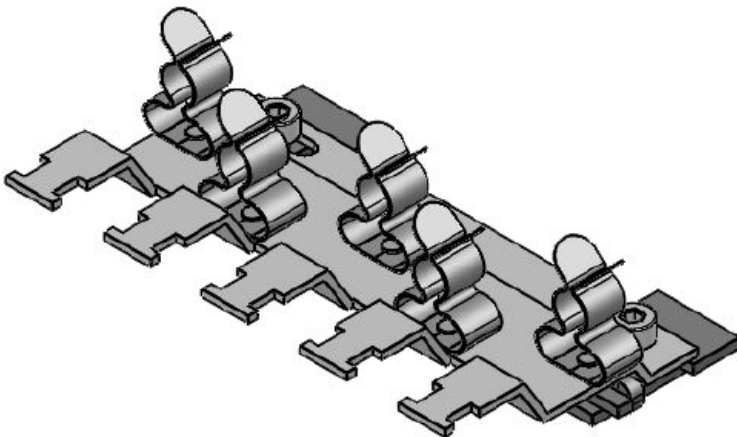
Part No.	<b>38070.100</b>	Height	<b>16,2 mm</b>
EAN	<b>4251269319</b>	Mounting height	<b>16,2 mm</b>
	<b>976</b>		
Package quantity	<b>1</b>		
For no. of shield clamps	<b>3</b>		
For max. no. of cables	<b>3</b>		
Length	<b>58 mm</b>		
Width	<b>54,1 mm</b>		

SC|RLFZ-M (x4)



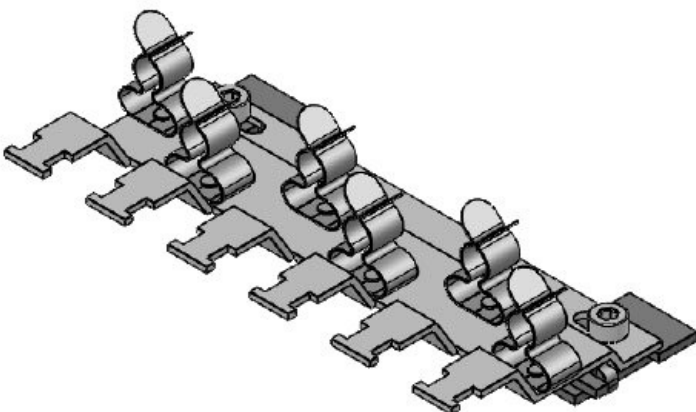
Part No.	<b>38071.100</b>	Height	<b>16,2 mm</b>
EAN	<b>4251269319</b>	Mounting height	<b>16,2 mm</b>
	<b>983</b>		
Package quantity	<b>1</b>		
For no. of shield clamps	<b>4</b>		
For max. no. of cables	<b>4</b>		
Length	<b>79 mm</b>		
Width	<b>54,1 mm</b>		

SC|RLFZ-M (x5)

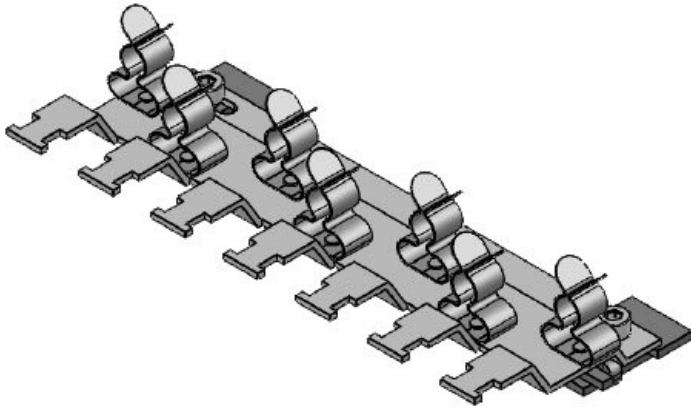


Part No.	<b>38072.100</b>	Height	<b>16,2 mm</b>
EAN	<b>4251269319</b>	Mounting height	<b>16,2 mm</b>
	<b>990</b>		
Package quantity	<b>1</b>		
For no. of shield clamps	<b>5</b>		
For max. no. of cables	<b>5</b>		
Length	<b>99,7 mm</b>		
Width	<b>54,1 mm</b>		

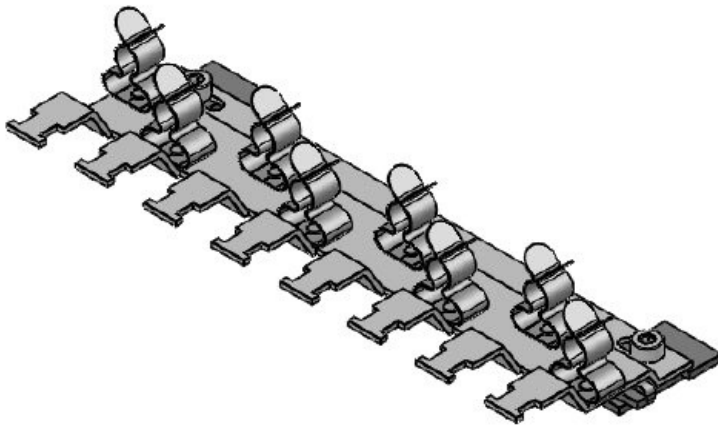
SC|RLFZ-M (x6)



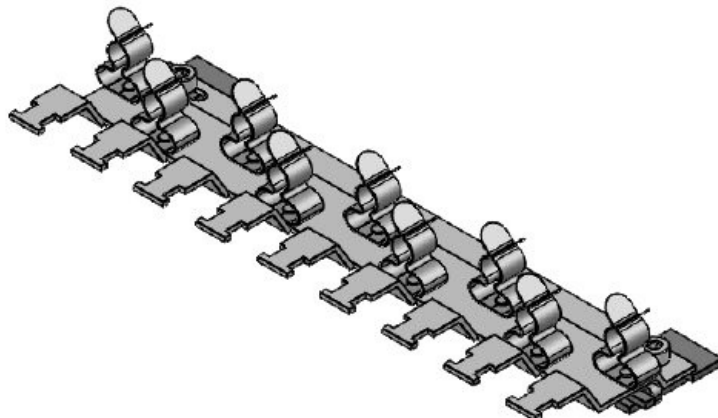
Part No.	<b>38073.100</b>	Height	<b>16,2 mm</b>
EAN	<b>4251269320</b>	Mounting height	<b>16,2 mm</b>
	<b>002</b>		
Package quantity	<b>1</b>		
For no. of shield clamps	<b>6</b>		
For max. no. of cables	<b>6</b>		
Length	<b>120,7 mm</b>		
Width	<b>54,1 mm</b>		

**SC|RLFZ-M (x7)**

Part No.	<b>38074.100</b>	Height	<b>16,2 mm</b>
EAN	<b>4251269320</b>	Mounting height	<b>16,2 mm</b>
	<b>019</b>		
Package quantity	<b>1</b>		
For no. of shield clamps	<b>7</b>		
For max. no. of cables			
Length	<b>141,7 mm</b>		
Width	<b>54,1 mm</b>		

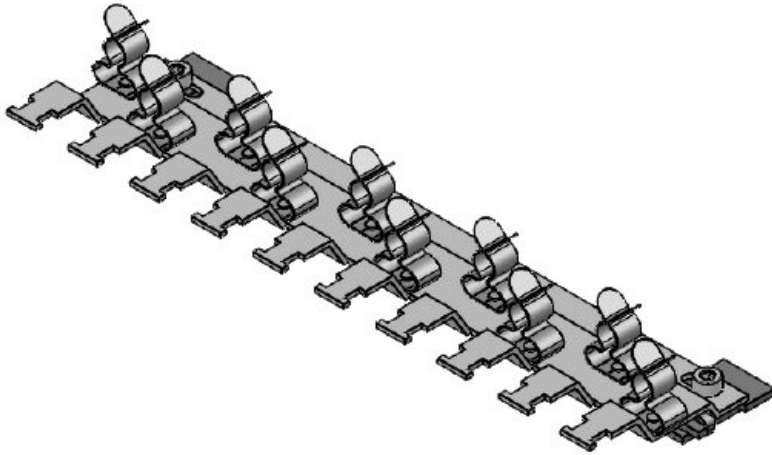
**SC|RLFZ-M (x8)**

Part No.	<b>38075.100</b>	Height	<b>16,2 mm</b>
EAN	<b>4251269320</b>	Mounting height	<b>16,2 mm</b>
	<b>026</b>		
Package quantity	<b>1</b>		
For no. of shield clamps	<b>8</b>		
For max. no. of cables	<b>8</b>		
Length	<b>162,7 mm</b>		
Width	<b>54,1 mm</b>		

**SC|RLFZ-M (x9)**

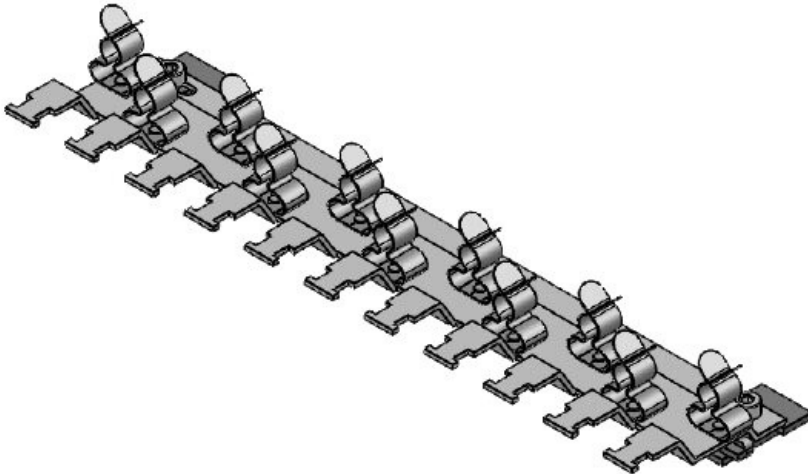
Part No.	<b>38076.100</b>	Height	<b>16,2 mm</b>
EAN	<b>4251269320</b>	Mounting height	<b>16,2 mm</b>
	<b>033</b>		
Package quantity	<b>1</b>		
For no. of shield clamps	<b>9</b>		
For max. no. of cables	<b>9</b>		
Length	<b>183,7 mm</b>		
Width	<b>54,1 mm</b>		

SC|RLFZ-M (x10)



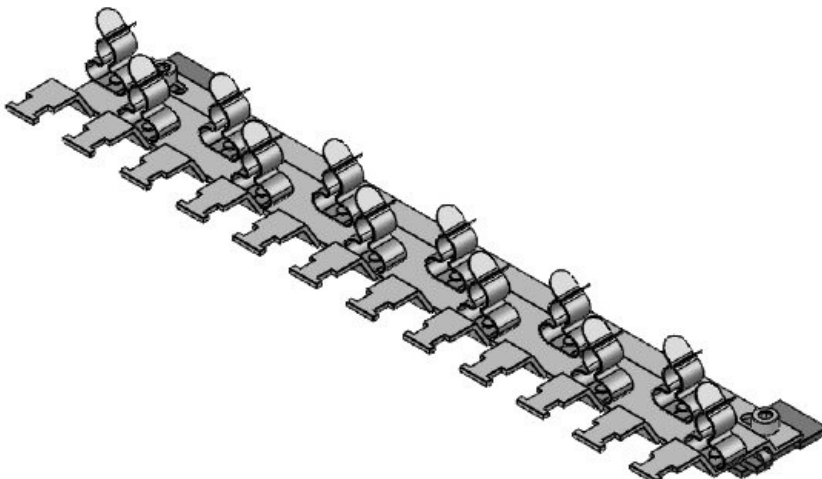
Part No.	<b>38077.100</b>	Height	<b>16,2 mm</b>
EAN	<b>4251269320040</b>	Mounting height	<b>16,2 mm</b>
Package quantity	<b>1</b>		
For no. of shield clamps	<b>10</b>		
For max. no. of cables	<b>10</b>		
Length	<b>204,7 mm</b>		
Width	<b>54,1 mm</b>		

SC|RLFZ-M (x11)



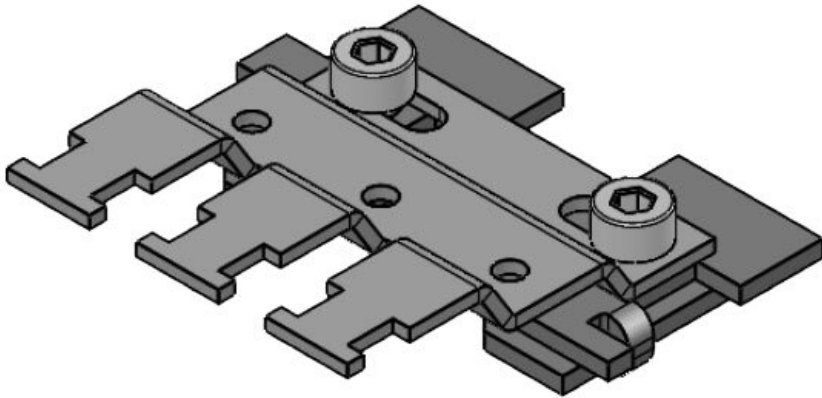
Part No.	<b>38078.100</b>	Height	<b>16,2 mm</b>
EAN	<b>4251269320057</b>	Mounting height	<b>16,2 mm</b>
Package quantity	<b>1</b>		
For no. of shield clamps	<b>11</b>		
For max. no. of cables	<b>11</b>		
Length	<b>226 mm</b>		
Width	<b>54,1 mm</b>		

SC|RLFZ-M (x12)



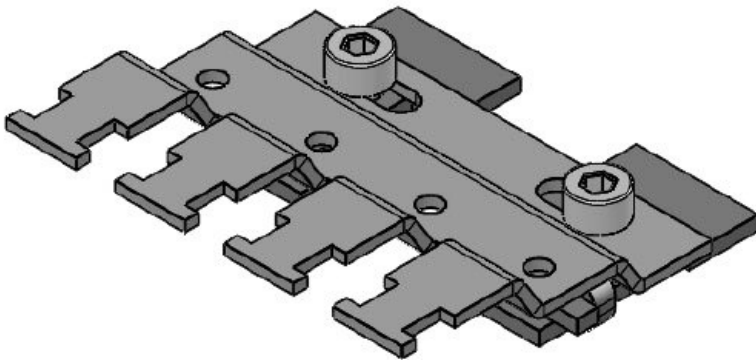
Part No.	<b>38079.100</b>	Height	<b>16,2 mm</b>
EAN	<b>4251269320064</b>	Mounting height	<b>16,2 mm</b>
Package quantity	<b>1</b>		
For no. of shield clamps	<b>12</b>		
For max. no. of cables	<b>12</b>		
Length	<b>246,7 mm</b>		
Width	<b>54,1 mm</b>		

SC|RLFZ (x3)



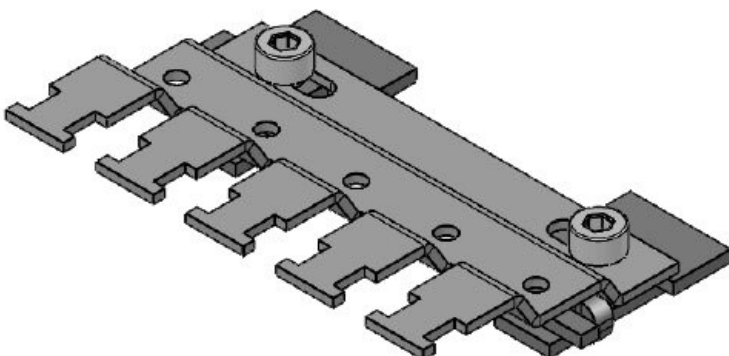
Part No.	<b>38005.100</b>	Height	<b>12,5 mm</b>
EAN	<b>4251269319</b>	Mounting height	<b>12,5 mm</b>
	<b>877</b>		
Package quantity	<b>1</b>		
For no. of shield clamps	<b>3</b>		
For max. no. of cables	<b>3</b>		
Length	<b>41,2 mm</b>		
Width	<b>44,4 mm</b>		

SC|RLFZ (x4)



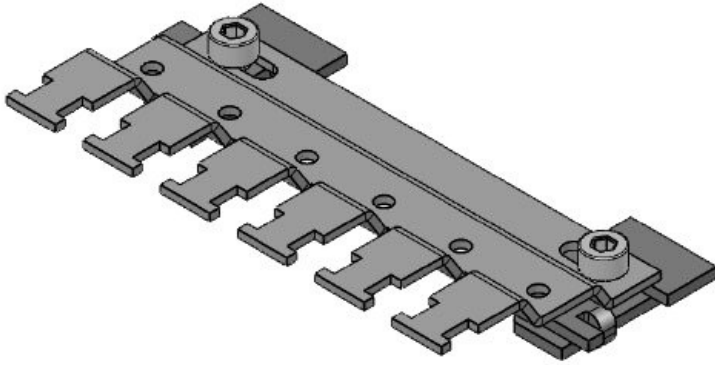
Part No.	<b>38010.100</b>	Height	<b>12,5 mm</b>
EAN	<b>4251269319</b>	Mounting height	<b>12,5 mm</b>
	<b>884</b>		
Package quantity	<b>1</b>		
For no. of shield clamps	<b>4</b>		
For max. no. of cables	<b>4</b>		
Length	<b>56,8 mm</b>		
Width	<b>44,4 mm</b>		

SC|RLFZ (x5)



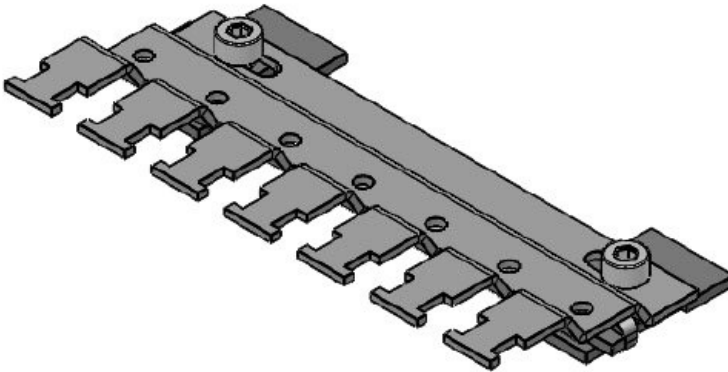
Part No.	<b>38015.100</b>	Height	<b>12,5 mm</b>
EAN	<b>4251269319</b>	Mounting height	<b>12,5 mm</b>
	<b>891</b>		
Package quantity	<b>1</b>		
For no. of shield clamps	<b>5</b>		
For max. no. of cables	<b>5</b>		
Length	<b>72,4 mm</b>		
Width	<b>44,4 mm</b>		

SC|RLFZ (x6)



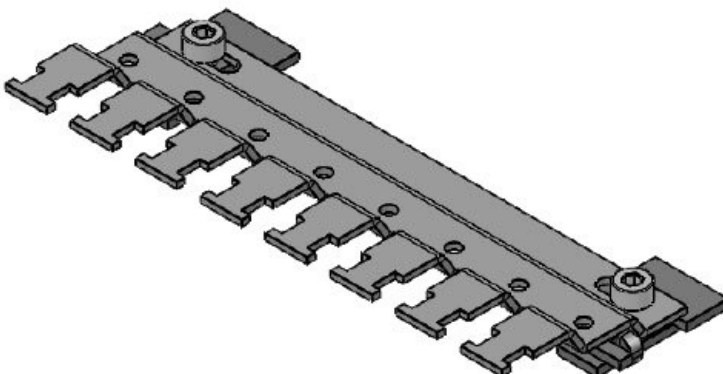
Part No.	<b>38020.100</b>	Height	<b>12,5 mm</b>
EAN	<b>4251269319</b>	Mounting height	<b>12,5 mm</b>
	<b>907</b>		
Package quantity	<b>1</b>		
For no. of shield clamps	<b>6</b>		
For max. no. of cables	<b>6</b>		
Length	<b>88 mm</b>		
Width	<b>44,4 mm</b>		

SC|RLFZ (x7)



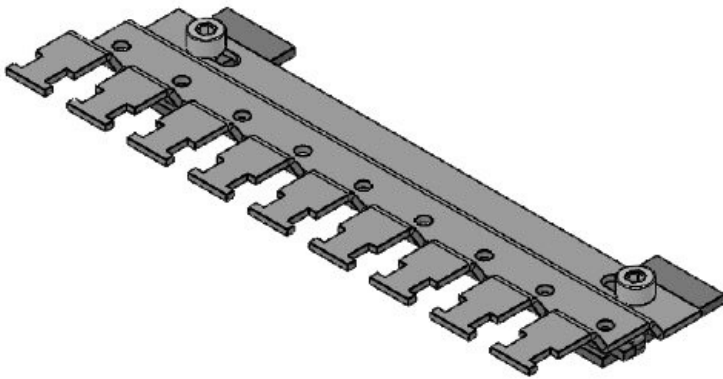
Part No.	<b>38025.100</b>	Height	<b>12,5 mm</b>
EAN	<b>4251269319</b>	Mounting height	<b>12,5 mm</b>
	<b>914</b>		
Package quantity	<b>1</b>		
For no. of shield clamps	<b>7</b>		
For max. no. of cables	<b>7</b>		
Length	<b>103,6 mm</b>		
Width	<b>44,4 mm</b>		

SC|RLFZ (x8)



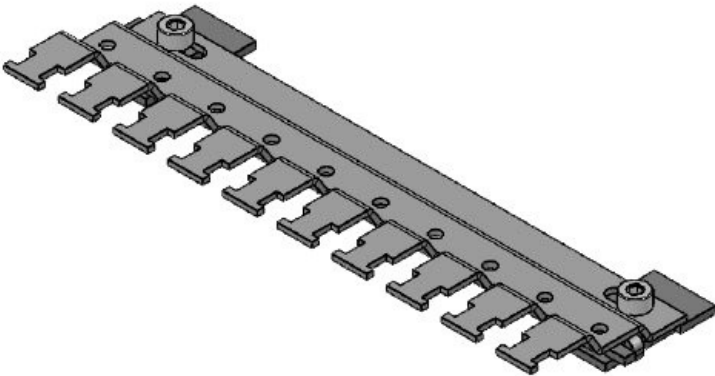
Part No.	<b>38030.100</b>	Height	<b>12,5 mm</b>
EAN	<b>4251269319</b>	Mounting height	<b>12,5 mm</b>
	<b>921</b>		
Package quantity	<b>1</b>		
For no. of shield clamps	<b>8</b>		
For max. no. of cables	<b>8</b>		
Length	<b>119,2 mm</b>		
Width	<b>44,4 mm</b>		

SC|RLFZ (x9)



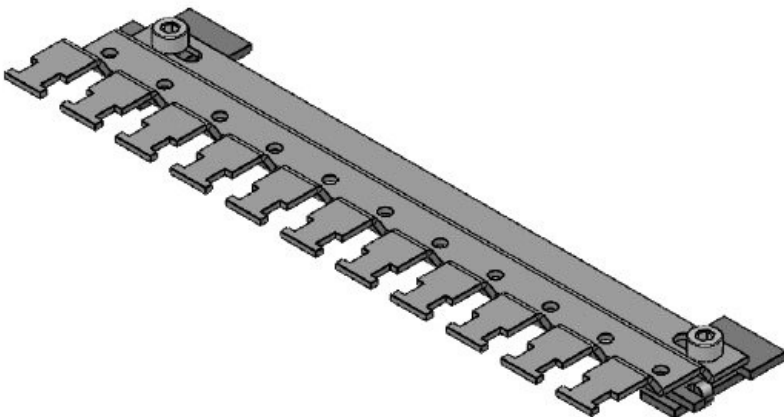
Part No.	<b>38035.100</b>	Height	<b>12,5 mm</b>
EAN	<b>4251269319</b>	Mounting height	<b>12,5 mm</b>
	<b>938</b>		
Package quantity	<b>1</b>		
For no. of shield clamps	<b>9</b>		
For max. no. of cables	<b>9</b>		
Length	<b>134,8 mm</b>		
Width	<b>44,4 mm</b>		

SC|RLFZ (x10)



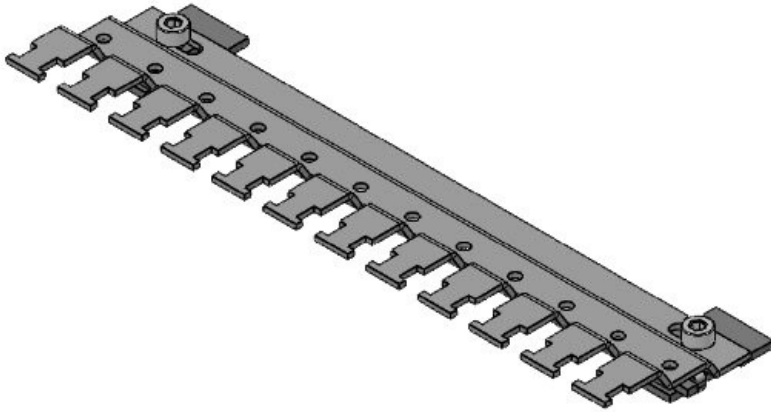
Part No.	<b>38040.100</b>	Height	<b>12,5 mm</b>
EAN	<b>4251269319</b>	Mounting height	<b>12,5 mm</b>
	<b>945</b>		
Package quantity	<b>1</b>		
For no. of shield clamps	<b>10</b>		
For max. no. of cables	<b>10</b>		
Length	<b>150,4 mm</b>		
Width	<b>44,4 mm</b>		

SC|RLFZ (x11)



Part No.	<b>38045.100</b>	Height	<b>12,5 mm</b>
EAN	<b>4251269319</b>	Mounting height	<b>12,5 mm</b>
	<b>952</b>		
Package quantity	<b>1</b>		
For no. of shield clamps	<b>11</b>		
For max. no. of cables	<b>11</b>		
Length	<b>166 mm</b>		
Width	<b>44,4 mm</b>		

SC|RLFZ (x12)



Part No.	<b>38050.100</b>	Height	<b>12,5 mm</b>
EAN	<b>4251269319</b>	Mounting height	<b>12,5 mm</b>
Package quantity	<b>1</b>		
For no. of shield clamps	<b>12</b>		
For max. no. of cables	<b>12</b>		
Length	<b>181,6 mm</b>		
Width	<b>44,4 mm</b>		

---

**icotek**<sup>®</sup>  
smart cable management